

**Paramount Relay Interface Module**

**Series PI16ISBASS110VAC-3 -R1  
16 Channel Input Relay Board**



These Relay modules provide a compact, reliable & cost effective means of providing an isolation and safety barrier between the field equipment and the PLC

The coil of each relay is activated by the PLC and the contacts of the relays connect to the field, providing increased load switching capability with fuse protection and easy configuration

The Input relay interface module has fuses for each channel, LED Indication is provided for the logic supply.

<b>Contents</b>	<b>Page</b>
Input relay module	: 2
Relay & Socket features	: 3
Circuit Diagram	: 4
PCB Layout	: 5

**Series : PI16ISBASS110VAC-3-R1**

**Input Relay Module Specification**

Model	No. of Channel Supply	No. of Logic supply	Dimension W x D	L x in mm	Channel Fuse Rating
PI16ISBASS110VAC-3-R1	16	1	255 x 85 x 125		500m A

**Component Specifications / Other details**

- 1 Fuse Holders                      PCB Mountable Vertical Fuse Holder (5x20 fuses)
- 2 Fuses                                5 x 20 mm Fuses Glass Cartridge  
Channel Supply :500mA Fast Blow
- 3 Extrusion Make                    : Phoenix Contact
- 4 Terminal Blocks Make            : Phoenix Contact
- 5 Logic Supply                        : 24 VDC
- 6 Fuses are available for each channel

**Series : PI16ISBASS110VAC-3-R1**

**Relay Specifications**

1	Make	:	<b>PARAMOUNT</b>
2	Part No.	:	P1S - DIN
3	Contact Configuration	:	1 N/O
	Contact Rating	:	100mA @ 32VDC Max.
<b>Input Parameters</b>			
4	Input Current	:	5 m Amps Max. @ 110V AC 50 Hz
5	Maximum Input Voltage	:	130 V AC Max.
6	Switch ON Voltage Range	:	85 - 138VAC 50 Hz
7	Must Operating Voltage	:	85 VAC
8	Must Switch OFF Voltage	:	75 VAC
<b>Output Parameters</b>			
9	Max. Output Current	:	100 mA DC
10	Max. Output Voltage	:	32 VDC
11	Max. Leakage Current	:	100 micro Amps
12	Max. Voltage Drop	:	1.5 VDC
<b>Specifications</b>			
13	Isolation between Input / Output	:	4 KV / 1 Min.
14	Operate Time @ Rated Voltage	:	5 msecs Max.
15	Release Time @ Rated Voltage	:	6 msecs Max.
16	Working Temperature Max.	:	60° C
17	Storage Temperature	:	- 40° C to + 85° C
18	Weight	:	28 grms Max.
19	Dimension ( L x W x H)	:	28.9 x 13 x 36.1 mm

**Relay Features**

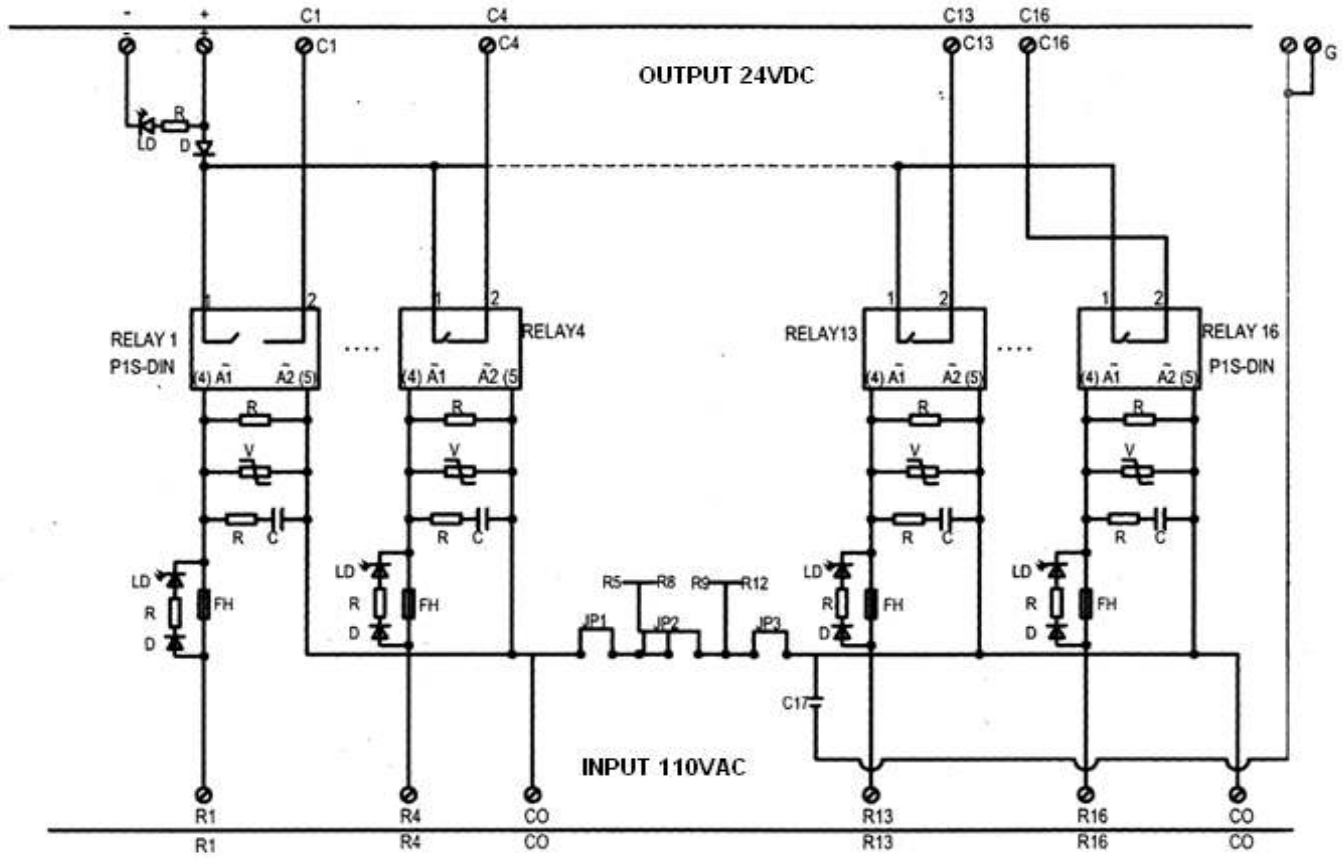
1	Industrial 4.75mm Faston terminals
2	Marking Lable (to indicate relay number etc...)

**Socket Specifications**

1	Nominal Load	:	10 Amps @ 250VAC
2	Maximum Switching Voltage	:	400 volts
3	Di-Electric Strength	:	5 KV
4	Terminals	:	Hard Brass Tin Plated
5	Retainer clip	:	Integrated hold down type
6	Dimensions (length x breadth x height)	:	31.0 x 14.8 x 5.20 + 13.4mm (pin+body height)
7	Touch protected	:	
8	Weight	:	8 gms

SERIES : PI16ISBASS110V AC-3 -R1

CIRCUIT DIAGRAM



NOTE: JP1, JP2&JP3 ALL ARE SHORTED

Series : PI16ISBASS110VAC-3-R1



# PCB LAYOUT

